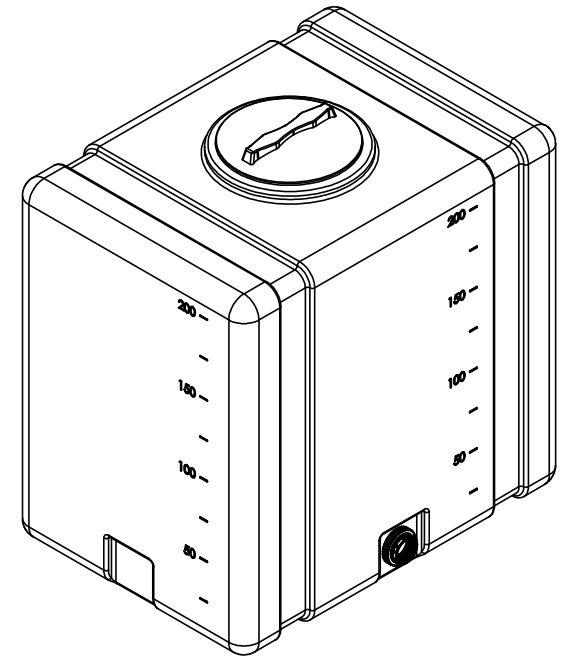
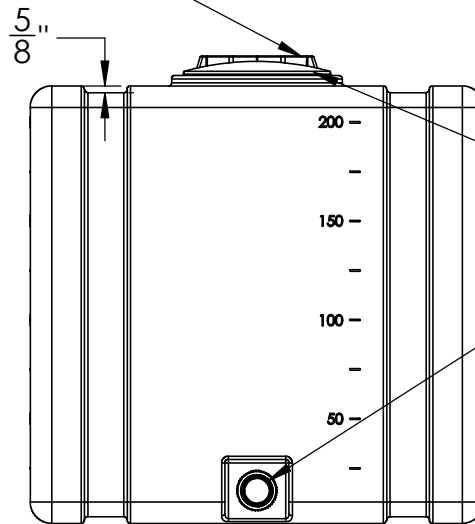


12" Closed Non-vented Lid  
#970327



12" Lid Ring with Gasket  
#970328

2" Bulkhead PP Fitting  
#970211

200 Gal Utility Tank  
w/ Fitting &  
Gasketed Ring & Lid



1390 Neubrecht Road  
Lima, Ohio 45801

STOCK NO.  
23614, 23615, 23616, 23617

REV  
A

DO NOT SCALE DRAWING

WEIGHT: 71 lbs.

DIMENSIONS ARE IN INCHES  
TOLERANCE: ± 1/4"

MATERIAL  
LLDPE - FDA resin

CAPACITY  
200 Gal

GRADUATIONS  
25 Gal

NOMINAL WALL THICKNESS  
1/4"

	NAME	DATE
DRAWN	NJV	4/30/24
APPROVED		
REVISIONS		

COMMENTS:  
Natural, Black, Blue,  
Forest Green  
UV Stabilized

**PROPRIETARY AND CONFIDENTIAL**

THE INFORMATION CONTAINED IN THIS DRAWING IS THE SOLE PROPERTY OF TAMCO. ANY REPRODUCTION IN PART OR AS A WHOLE WITHOUT THE WRITTEN PERMISSION OF TAMCO IS PROHIBITED.

MAX. OPERATING TEMP. 140°F  
INTERMITTENT SERVICE TO 160°F  
SEE CHEMICAL RESISTANCE  
CHART FOR COMPATIBILITY